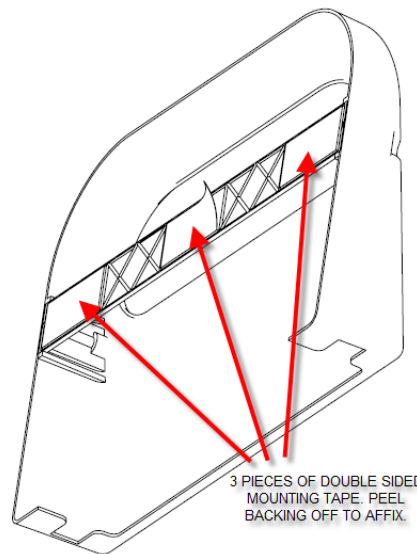
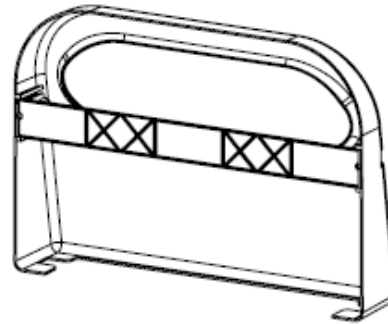
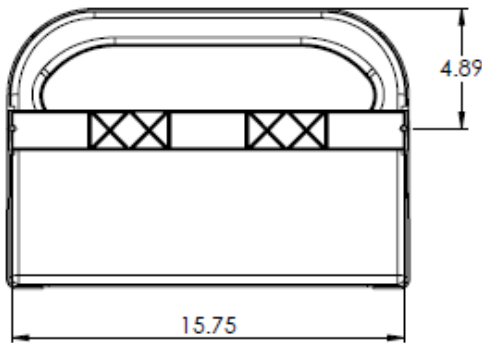
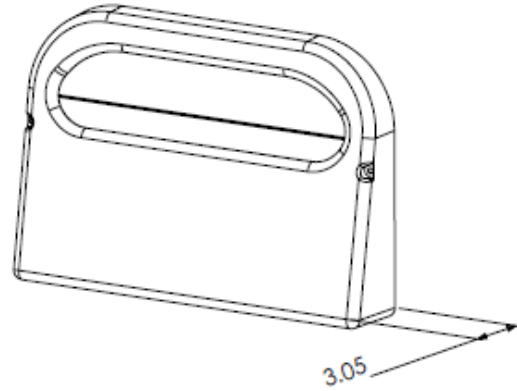
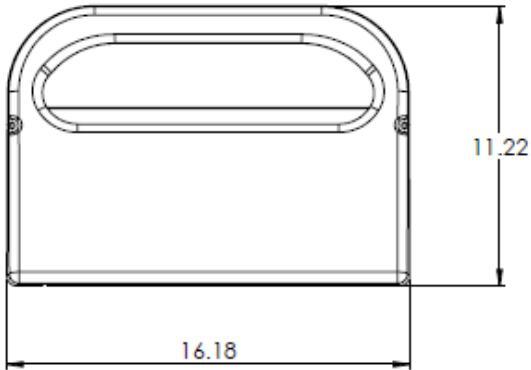


MOUNTING TEMPLATE FOR TOILET SEAT COVER DISPENSERS: HG-1, HG-1-2, HG-1S



3 PIECES OF DOUBLE SIDED
MOUNTING TAPE. PEEL
BACKING OFF TO AFFIX.

Toilet Seat Cover Dispenser Specs: Items HG-1, HG-1-2, HG-1S

Attribute	HG-1	HG-1-2	HG-1S
Color	White	White	Smoke
Item Weight	.85 lbs	.85 lbs	.85 lbs
Item Depth	11.22"	11.22"	11.22"
Item Width	16.18"	16.18"	16.18"
Item Height	3.05"	3.05"	3.05"
Carton Weight	1.35 lbs.	2.10 lbs	1.35 lbs
Carton Depth	17.00"	17.10"	17.00"
Carton Width	12.40"	12.10"	12.38"
Carton Height	3.70"	5.20"	3.75"
Carton Pack	1	2	1
Material	High Impact Polystyrene (HIPS)	High Impact Polystyrene (HIPS)	General Purpose Polystyrene (GPPS)
Ti	36	30	36
Hi	4	4	4
Qty per Pallet	144	120	144
UPC	075289042164	075289121203	075289042249
ITF-14	10075289042161	10075289121200	10075289042246